

Remote Controller for VISIONLINE

Combo and RFID remote controller

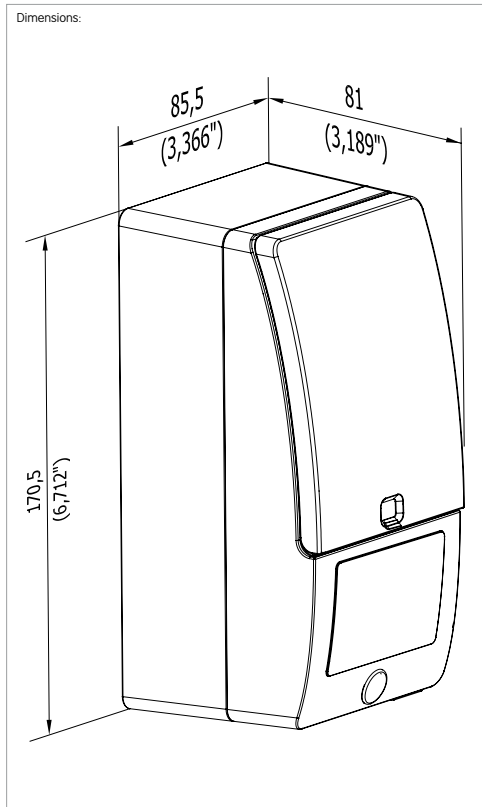
The VingCard Remote Controller is fully compatible with VingCard electronic locking systems and provides access control on common doors, such as vehicle barriers, health clubs, conference suites, staff entrances, guest night entrances and more. Our Remote Controller is an advantageous supplement where regular locks are not suitable.



FEATURES

- Modern design.
- Snap-on frame for flush mounting always comes with the Remote Controllers – Easy to take off for surface mounted installation.
- All models come with a heating element for optimal operation in cold environments (optional to use).
- Standard cover plates are available to cover up old hole patterns.
- Online functionality.
- Fully compatible with VISIONLINE by VingCard software.
- Remote audit trail.
- Remote cancellation of cards.
- Lock out/block entire user groups.

SPECIFICATIONS



Technical data:

Each complete unit, supplied individually packed, consists of:

- 1) Remote Controller unit with reader and heating element.
- 2) Gateway.
- 3) 20 metres of communication cable for use between Remote Controller and gateway.

Dimensions - surface mounted model:

- Height: 170,5 mm
- Width: 85,5 mm
- Depth: 81 mm

Dimensions - flush mounted model:

Flush mounted model	Height	Width	Depth
Behind frame (in wall)	173 mm	88 mm	42 mm
Frame	195 mm	110 mm	3,5 mm
Outside frame (in room)	170,5 mm	85,5 mm	41,5 mm

Electrical specifications:

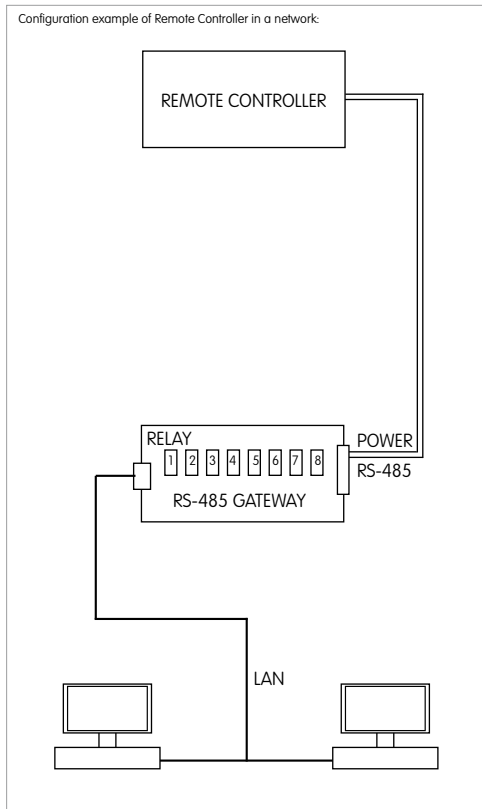
Supply voltage	12-24 VDC
Current consumption without heating element (no load)	150 mA continuously
Current consumption with heating element (no load)	1 A continuously
Recommended cable length from RC to Gateway (without heating element)	500m / 547 yds
Recommended cable length RC to Gateway (12VDC, half power to heating element)	20m / 22 yds
Recommended cable length RC to Gateway (12VDC, full power to heating element)	10m / 11 yds
Recommended cable length RC to Gateway (24VDC, full power to heating element)	20m / 22 yds

Environmental specifications for card reader:

- Minimum: 0 C (without heating element), -30 C (with heating element).
- Maximum: 50 C (without heating element, 50 C (with heating element)).
- Humidity: Non condensing.

Other specifications:

- Front cover color in RAL 7000
- The rest of the housing in color RAL 7021



Get MORE with Wire LESS

visiOnline

by VingCard®

Contact us:



ASSA ABLOY

VingCard Elsafe AS

P.O. Box 511 • 1522 Moss • Norway

Tel: +47 69 24 50 00 • Fax: +47 69 24 50 50

E-mail: info@vcegroup.com • www.vcegroup.com