

Get More with WireLess

Standalone electronic locks operating in online mode

VISIONLINE by VingCard offers the ideal solution for the most demanding properties.

Standalone electronic locks operating in online mode based Zigbee high security open platform (Radio Frequency (RF-online)) providing you with:

- More Security and Control
- More Services to your Guests
- More Efficient and Cost Effective Hotel Operations
- More Efficient Front Desk Operations
- More Efficient Engineering and Maintenance
- ..And Less hassle...

VISIONLINE is much more than "just" electronic locks through its wireless online features.



MAIN BENEFITS FOR DIFFERENT AREAS OF YOUR PROPERTY

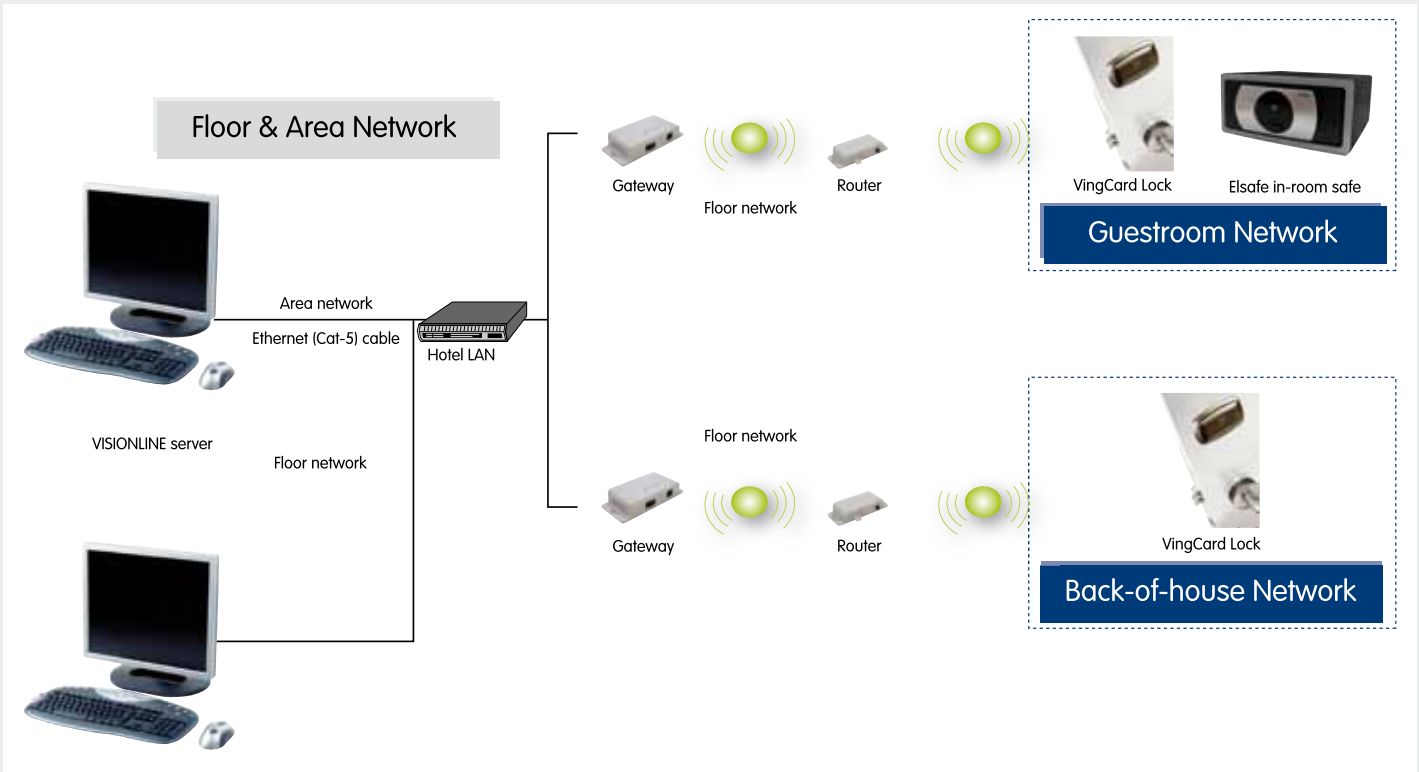
- **More Security and Control from your main VISIONLINE server:**
 - 1) Remote guest card cancellation:** Guest cards can be immediately cancelled without walking to the lock to reprogram it or encode a new card.
 - 2) Remote master card cancellation:** Master cards can be immediately cancelled without walking to reprogram all the electronic locks.
 - 3) Wandering intruder report/alarm:** Keycards can be automatically cancelled if someone is randomly using them in different locks.
 - 4) Door ajar alert:** A message is sent to server that a door is not e.g. closed properly.
- **More Services to your Guests:**
 - 5) Extended stay without visiting reception:** Guests can be extended access to their rooms automatically from reception, to avoid guests having to come to reception to re-encode the keycard.
 - 6) Remote "change my room" function:** Guest can automatically be assigned a different room from reception, without needing to come to reception to re-encode the keycard.
- **More Efficient and Cost Effective Hotel Operations:**
 - 7) Online passage mode activation:** Locks can be remotely configured in passage mode from VISIONLINE server.
 - 8) Live tracking of card users:** You can follow up individual keycard tracking throughout the property (where the card owner has been).
- **More Efficient Front-Desk Operations:**
 - 9) Auto check-out of guests:** Guest keycards will not work once checked-out (instead of working until standard check-out time).
 - 10) Block cards per user and per section:** You can remotely block keycards the access to specific areas without walking to reprogram the locks.
- **More Efficient Engineering and Maintenance:**
 - 11) Remote audit trail:** You can download locks' audit trail remotely from the VISIONLINE server without walking to the locks to download it.
 - 12) Remote low battery status:** You can remotely identify the locks that have low battery, instead of walking to each lock to check it.
 - 13) Insert maintenance report cards:** By maid inserting maintenance report cards into the lock, it will remotely inform VISIONLINE reception that room needs maintenance.
 - 14) Auto SMS/e-mail alert option:** Lock actions may be sent to person in charge automatically.
 - 15) ... and many more.**

VISIONLINE by VingCard Network Architecture

- Standalone electronic locks with RF-end nodes communicating to the VISIONLINE server through the Zigbee network.
- Gateways connecting to hotel Ethernet network for direct communication with VISIONLINE server.
- Routers that relay communication between locks and gateways.



Based on High-security Zigbee open platform



Fully offline operational in case of network breakdown.

ZIGBEE Network Devices

ZigBee is a wireless standard transmitting data via RF-signals. This standard is aimed at controlling applications with relatively low data rate/power consumption.

Router technical data:

- Powered by a power adapter (5VDC).
- Low power consumption.
- Easy mounting.
- Flexible setup and configuration.
- UL94-V0 approved.
- Weight: 36 g.
- Flame retardant ABS.
- Color: RAL 7047.
- The router is intended for indoor use only, temperature range +5°C to +50°C. Relative humidity 10% to 90% (non condensing).
- Dimensions: 40 mm x 105 mm x 20 mm (1 37/64" x 4 9/64" x 51/64")



Gateway technical data:

- Automatic adjustment to 10 or 100 Mbit/s networks.
- Powered over Ethernet (POE) or by a power adapter (5VDC).
- Low power consumption.
- Easy mounting.
- Weight: 116 g.
- Flame retardant ABS.
- UL94-V0 approved.
- Color: RAL 7047.
- The gateway is intended for indoor use only, temperature range +5°C to +50°C Relative humidity 10% to 90% (non condensing).
- Dimensions: 63 mm x 144 mm x 28 mm (2 31/64" x 5 43/64" x 1 7/64")



► VISIONLINE by VingCard Software

In addition to the basic offline software for VISIONLINE, additional modular online packages are available in order to match the specific needs of your property. These modules can be added on at a later stage if needed. The online software modules are:

■ Standard Module

- Central card cancellation.
- Remote audit trail.
- Low battery report.
- Extended stay.
- Change my room.
- Auto check out of guest cards.

■ Advanced Module

- Door ajar alarm.
- Inside opening audit trail.
- Wandering intruder report/alarm.
- Block cards per user group per section.
- Live tracking of cards/users.
- Insert maintenance report card.
- Online passage mode activation.

■ Communication Module

- SMS/e-mail/pager alerts.
- On screen alarm panels.

■ Safety Module

- Open doors from central location.

Note: Special conditions apply.

► VISIONLINE Frontdesk Equipment

■ Encoders

For VISIONLINE combo systems there are several options:

- A motorized dual card encoder (encodes both magnetic- and smart card) with display (Fig. 1).
: Dimensions (HxWxD): 124 mm/4,88 inch x 110 mm/4,33 inch x 233 mm/9,17 inch
- A motorized magnetic stripe encoder with display.
- A manual smart card encoder.



Fig. 1

For VISIONLINE RFID systems:

- RFID encoder (Fig. 2).
: Dimensions (HxWxD): 30 mm/1,18 inch x 80 mm/3,15 inch x 134 mm/5,28 inch.



Fig. 2

■ Cards & carriers

Magnetic stripe- and Smart cards:

In a combo system, magnetic stripe cards are primarily used for guests while ATMEL Crypto cards are used for staff.

RFID cards and carriers:

In an RFID system, Mifare Ultra Light cards are primarily used for guests and ATMEL Crypto RF cards for staff. For scenarios where several applications are to share the same card or tag, Mifare 1k can also be used for guests, either as a PVC card, wristband or keyfob.



■ Service equipment

Lock programming and interrogation in VISIONLINE is done with a special service terminal with dedicated software, and cable interface towards the different lock types. Combo- and RFID locks have two different cable interfaces.



▶ Accessories by VingCard

■ Remote Controller

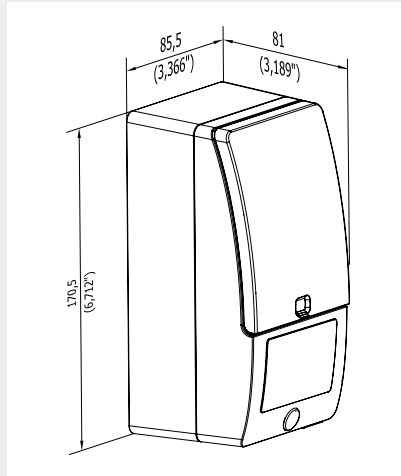
For areas such as common doors, vehicle barriers, health clubs, conference suites, staff entrances, sliding doors, revolving doors and more, VingCard's Remote Controller may be used to manage access control.

A complete Remote Controller consists of a card reader for card verification and an special TCP/IP Gateway for secure communication and online connection. All external devices to be controlled are connected to the TCP/IP Gateway.

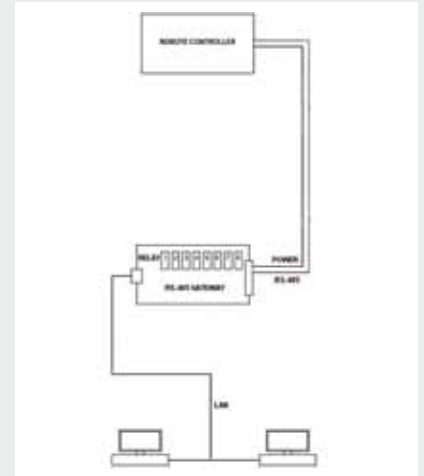
The Remote Controller is available RFID and Combo¹.



RFID remote controller



Remote controller dimensions



Configuration overview of Remote Controller in Zigbee network

■ Elevator Controller

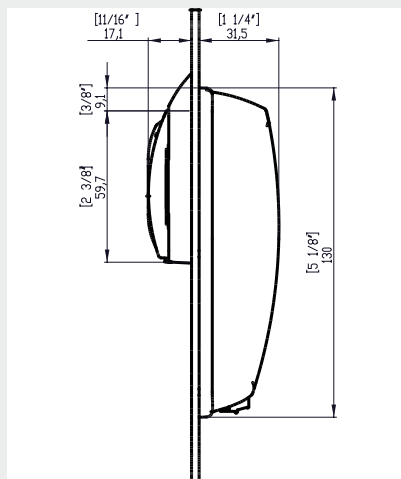
VingCard's Elevator Controller (or Multi Output Controller - MOC) is designed to fit into the elevator panel. The security level of the hotel will increase, as only guests with a valid keycard will have access to the elevators. The units can be delivered as smart/magnetic stripe or RFID version.

The MOC is designed for installing inside the lift, connected to the lift electronics, or outside the lift, connected to the call button electronics.

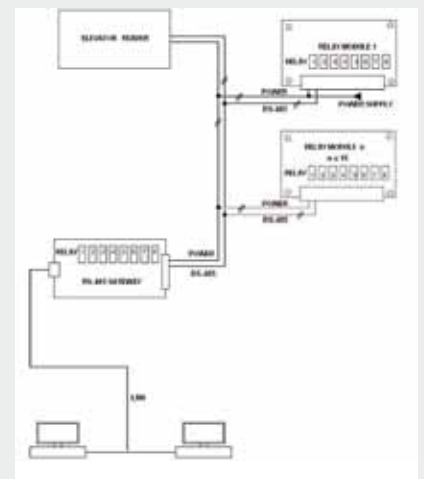
A complete MOC system consists of a card reader for card verification, an electronics box for installing behind the elevator control panel and a special TCP/IP Gateway, optionally in combination with additional relay modules. This depends on how many outputs that are required for the elevator installation. Maximum number of outputs for a MOC is 128, dependent on number of relay modules added.



Elevator Controller mounted in (elevator) wall



MOC Dimensions



Configuration overview of MOC in Zigbee network

1) please see Remote Controller datasheet for more details on VingCard Remote Controllers.

VISIONLINE by VingCard lock compatibility

VISIONLINE is available with Signature RFID as well as Classic and Signature electronic locks with a specific combo reader.

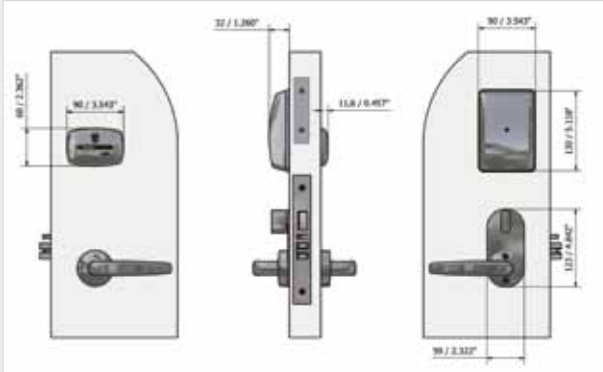
■ General Lock Features!:

- Powered by six AA batteries that provide up to 2-3 years normal life time.
- 2000 event audit trail.
- UL-fire listed for usage on fire doors.
- Solid brass handle with self lubricating long life bearings.
- High security mortise lockcase available in ANSI and EURO versions.
- Auto deadbolt option available (2 switch lockcase only).
- ANSI lockcase with inside handle and door ajar sensors (4 switch lockcase).
- 3-point steel latch construction with an antifricition mechanism.
- Case hardened full 1-inch (ANSI) throw deadbolt.
- Panic release function – the deadbolt and latch are automatically retracted by inside handle for easy egress in emergency situations.
- Compliant with ADA (Americans with Disabilities Act) requirements.
- No accessible parts from the outside (i.e. no set screws on handles etc.).
- Future proof re-programmable FLASH RAM lock memory.

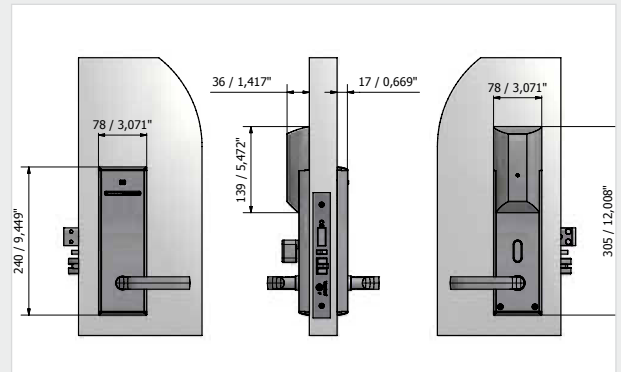


■ RFID Specifications

- 13,56MHz technology
- Compatible with the following standards:
 - ISO 14.443 A (MIFARE)
 - ISO 14.443 B
 - ISO 15.693
- Compatible with Near Field Communication (NFC) standards.



Signature- and Signature RFID dimensions



Classic dimensions

Emergency cylinder option

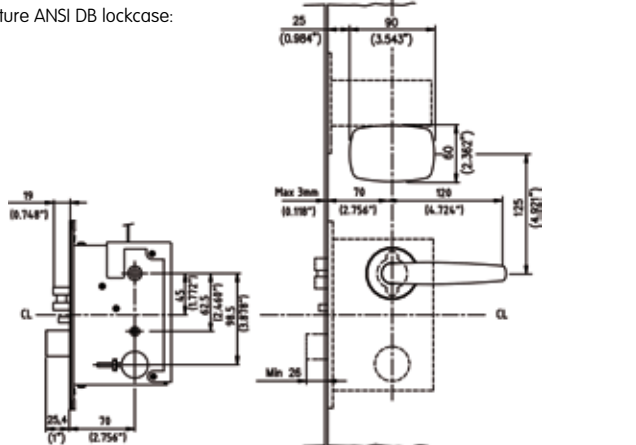
VingCard locks may also be supplied with an optional mechanical override cylinder, widely recognized as the finest in the industry.

- Use of mechanical override is registered in the lock memory for audit trail.
- Mechanical cylinder can be either visible or not visible with a cylinder concealer (not applicable for Classic).
- Superior pick resistance through its 7 pin high security profiles and narrow channel paracentric keyway anti pick drivers.
- Unique cylinder fixing for added security.
- 5 times recodable cylinder (incl. 2 construction levels).
- Cylinder is available in all lock finishes. (Satin finishes may vary from lock finish).

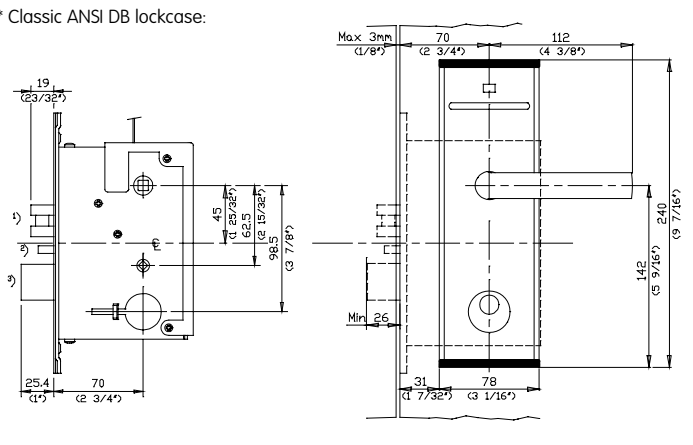


SPECIFICATIONS

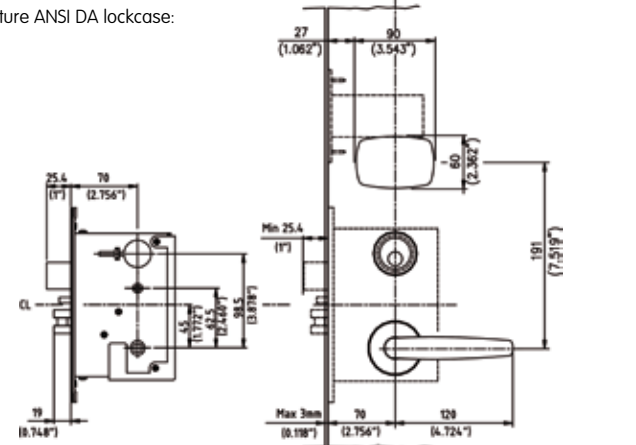
* Signature ANSI DB lockcase:



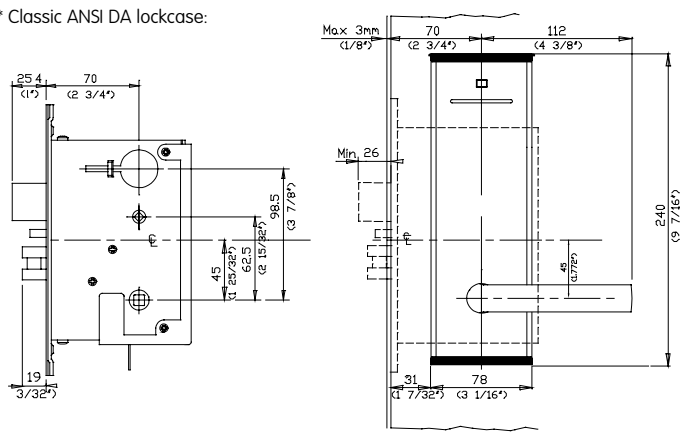
* Classic ANSI DB lockcase:



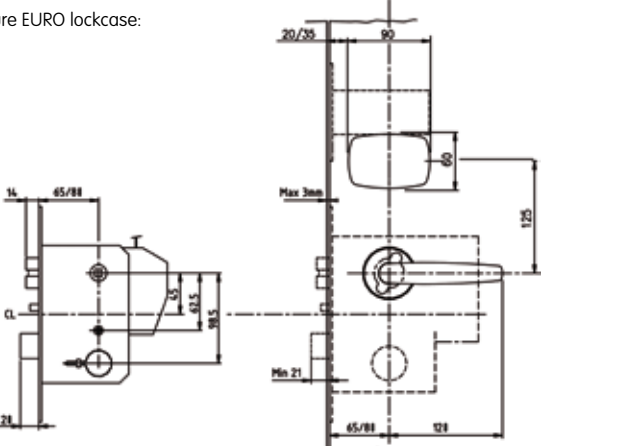
* Signature ANSI DA lockcase:



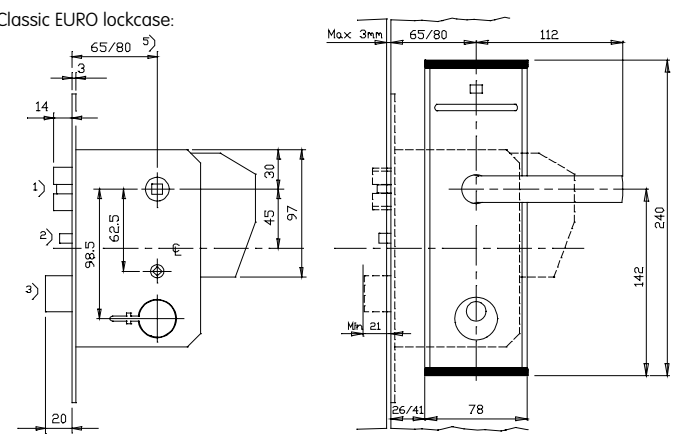
* Classic ANSI DA lockcase:



Signature EURO lockcase:



Classic EURO lockcase:



ANSI:
 • 25 mm front
 • 28 mm front
 • 32 mm front
 Backset: 70 mm

EURO:
 • 20 mm front
 • 22 mm front
 • 24 mm front
 Backset: 65 mm/80 mm

Get More with WireLess

visiOnline
 by VingCard®

Contact us:

VingCard®
Elsafe
 ASSA ABLOY
 VingCard Elsafe AS
 P.O. Box 511 • 1522 Moss • Norway
 Tel: +47 69 24 50 00 • Fax: +47 69 24 50 50
 E-mail: info@vcegroup.com • www.vcegroup.com